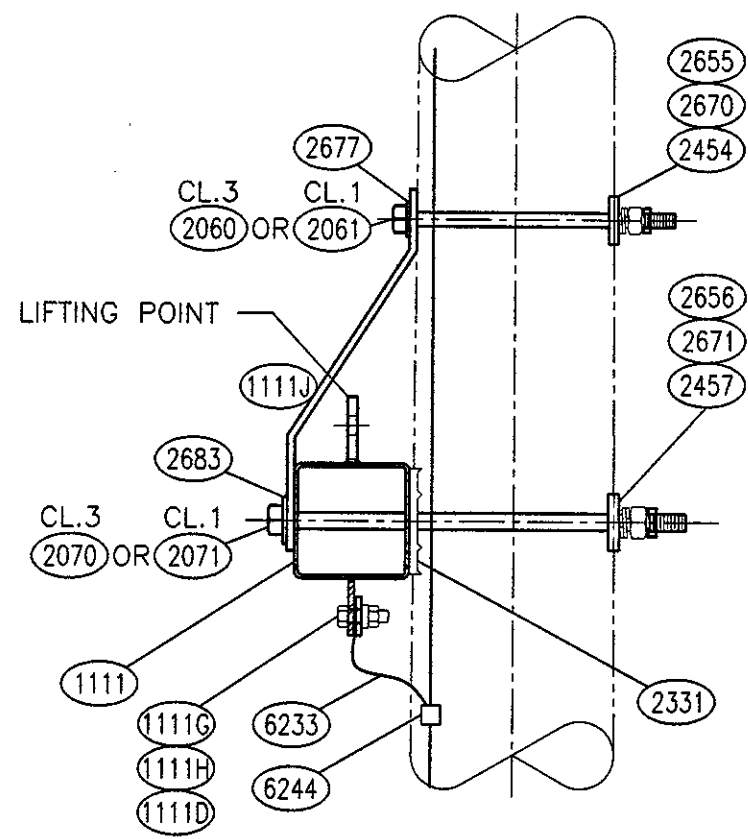
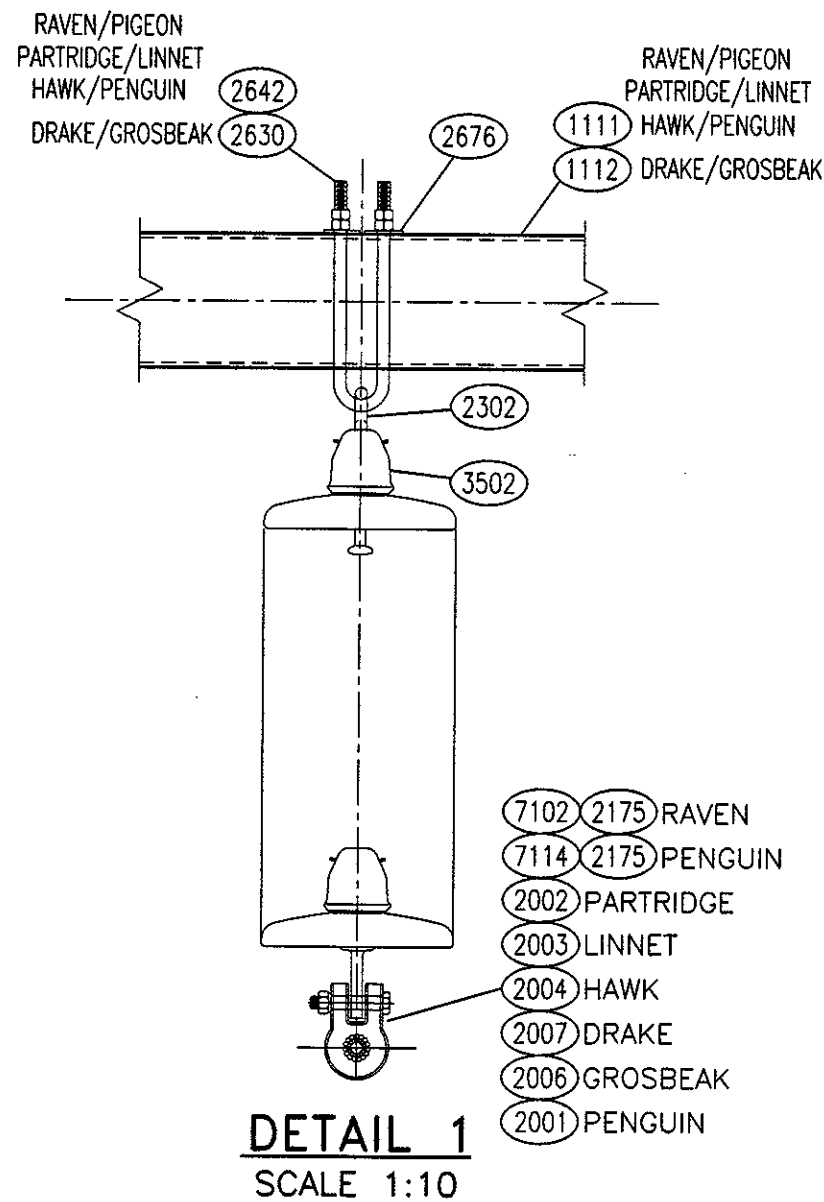
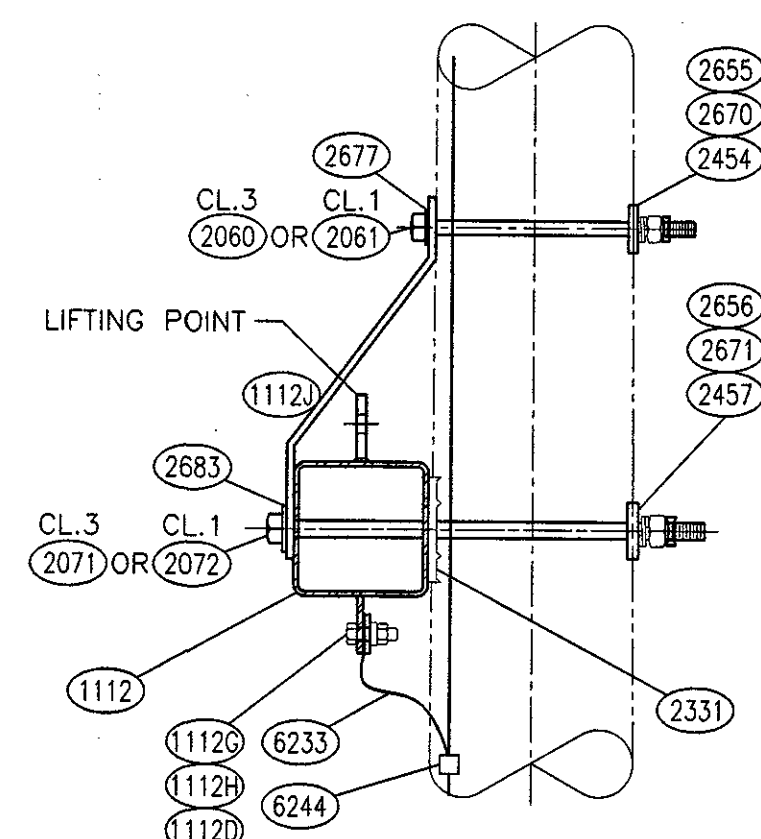


▲:FOR DETAILS SEE SHEET 4

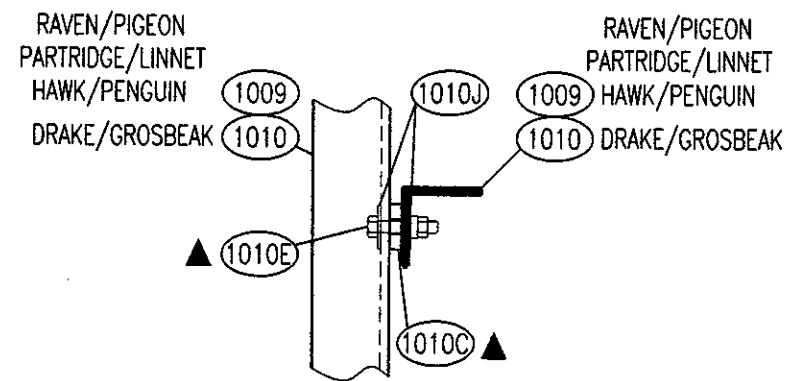


CONFIGURATION FOR RAVEN, PIGEON, PARTRIDGE
LINNET, HAWK AND PENGUIN CONDUCTOR

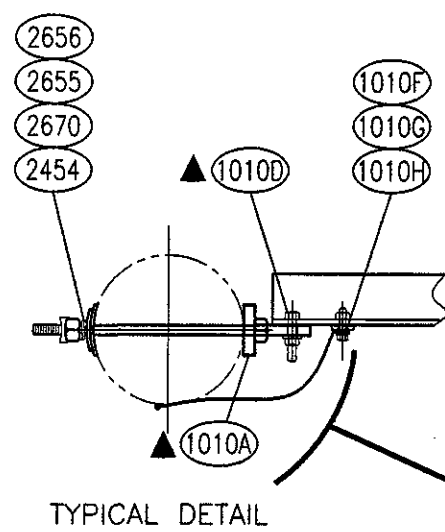


CONFIGURATION FOR DRAKE/GROSBEAK CONDUCTOR

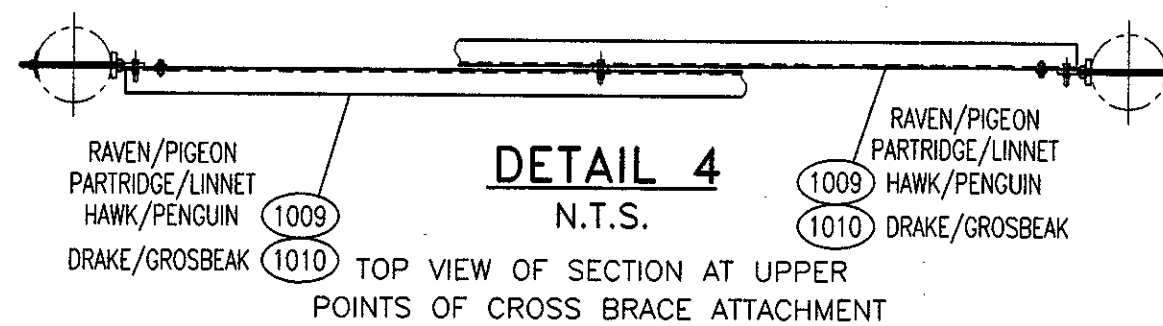
DETAIL 2
SCALE 1:10



DETAIL 3
SCALE 1:10

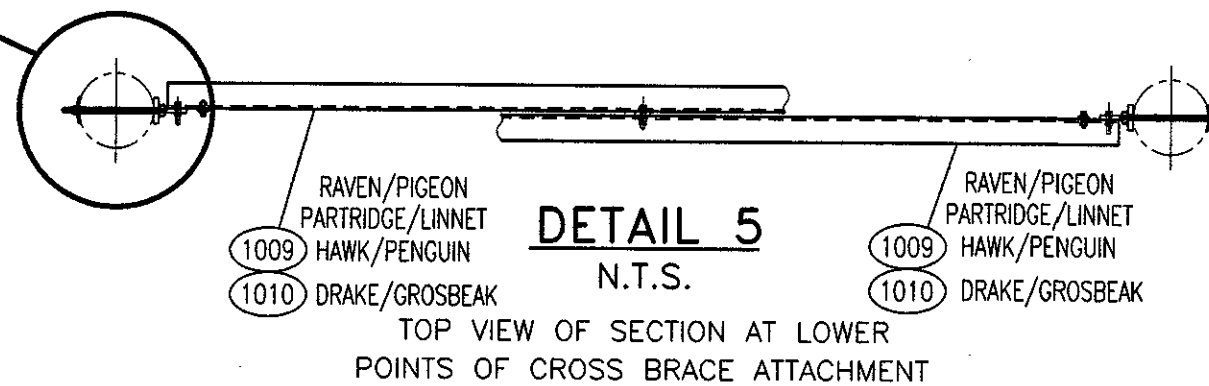


TYPICAL DETAIL



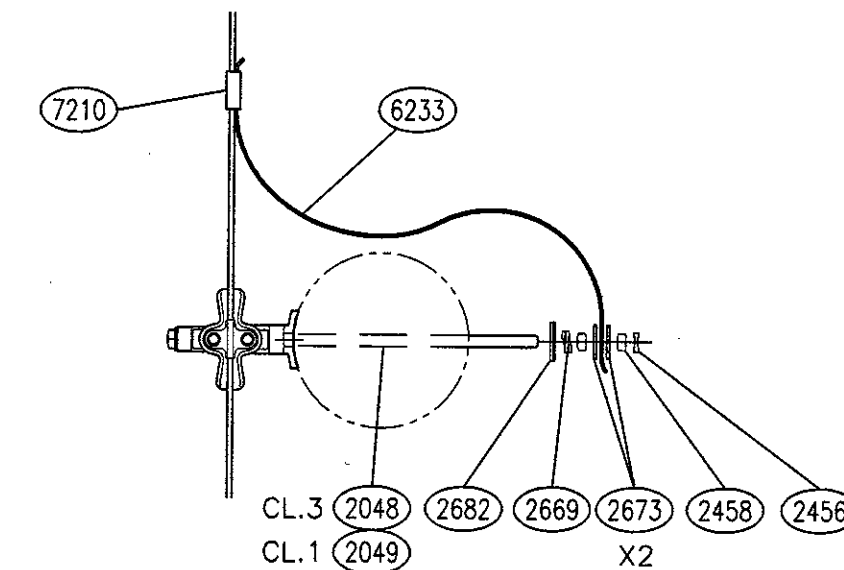
DETAIL 4
N.T.S.

TOP VIEW OF SECTION AT UPPER
POINTS OF CROSS BRACE ATTACHMENT

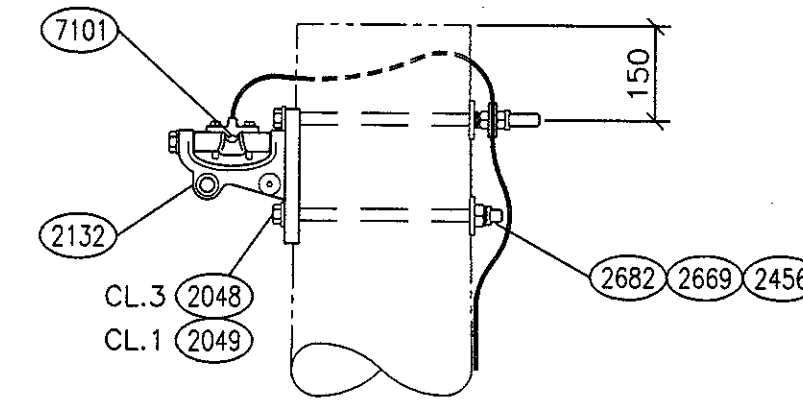


DETAIL 5
N.T.S.

TOP VIEW OF SECTION AT LOWER
POINTS OF CROSS BRACE ATTACHMENT



DETAIL 6
N.T.S.



APPROVED FOR CONSTRUCTION

AutoCAD

DESIGNED BY J.LI
DRAWN BY A.GATZKE
APPR'D BY M.ERETH
SEALED BY M.ERETH
DATE (Y-M-D) 2015-06-16

DESIGNED BY J. MÉNARD (CIMA+)
DRAWN BY J. SAVOIE
APPR'D BY K. OLECHNOWICZ
SEALED BY K. OLECHNOWICZ
DATE (Y-M-D) 2014-08-25

DESIGNED BY J. MÉNARD (CIMA+)
DRAWN BY J. SAVOIE
APPR'D BY K. OLECHNOWICZ
SEALED BY K. OLECHNOWICZ
DATE (Y-M-D) 2014-08-12

ENGINEERING SEAL



DRAFTING DEPT.
DRAWN BY J. SAVOIE
CHECKED BY K. OLECHNOWICZ
DATE (Y-M-D) 2013-11-22

DESIGN DEPT.
DESIGNED BY J. MÉNARD (CIMA+)
CHECKED BY K. OLECHNOWICZ
APPROVED BY K. OLECHNOWICZ
SEALED BY K. OLECHNOWICZ
DATE (Y-M-D) 2013-11-22

SaskPower INTERNAL USE ONLY

72/138 kV
STEEL CROSSARM AND CROSS BRACE
TANGENT STRUCTURE (0°-2°)
OUTLINE
ASSEMBLY

AUTOCAD SOURCE FILENAME:
D14_902_2SW_02.DWG
PLOT DATE: 2015-06-16 PAPER: C
PLOT TIME: 1:09 PM
PLOTTED BY: JLI
SCALE: 1:50 (U.O.S.)
DRAWING No.
D14
902-2SW
SHEET 2 OF 15 REV. C