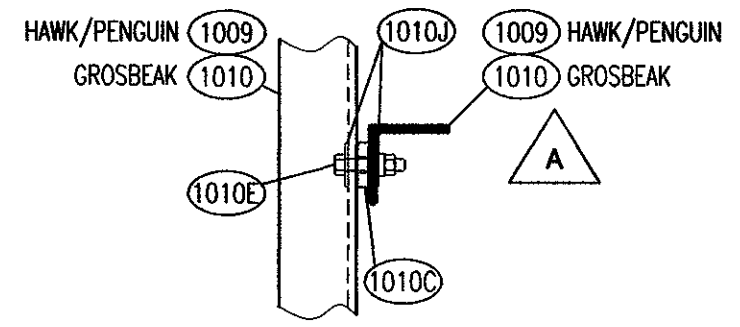
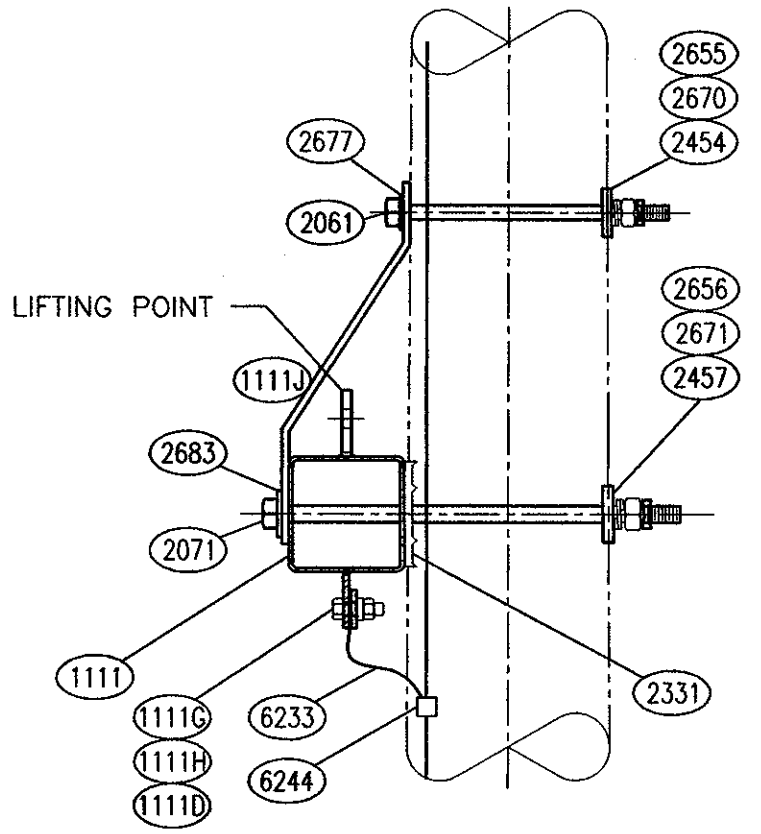


**DETAIL 9**  
SCALE 1:10

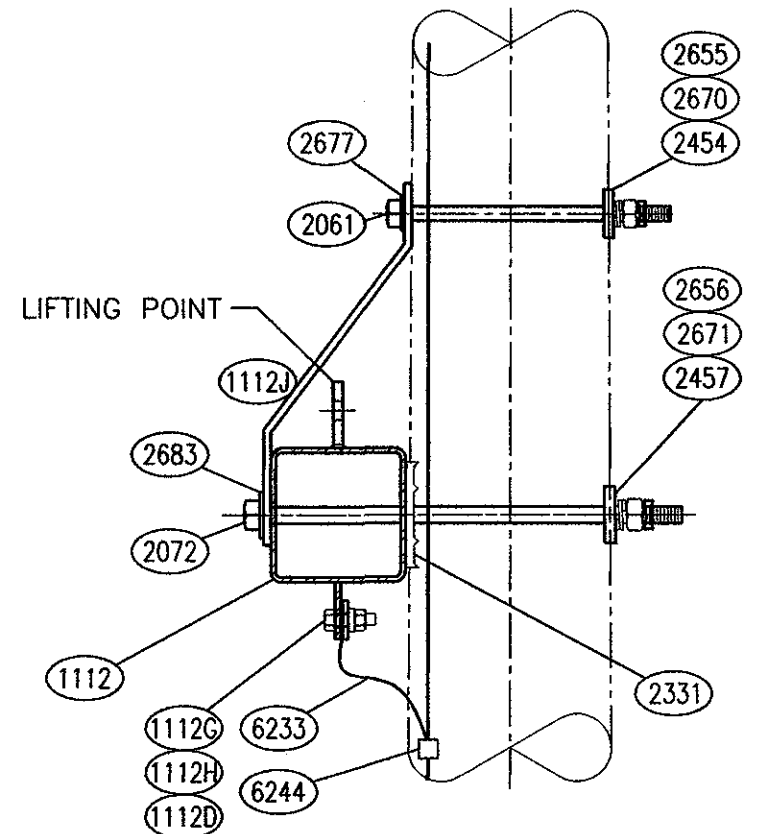


**DETAIL 10**  
SCALE 1:10

POLE LENGTHS	DIMENSIONS	
	A (138 kV)	B
90' - 90'	65'-11"	11'-0"
27432 - 27432	20103	3353
85' - 85'	60'-6"	10'-6"
25908 - 25908	18432	3200
80' - 80'	56'-11"	10'-0"
24384 - 24384	17360	3048

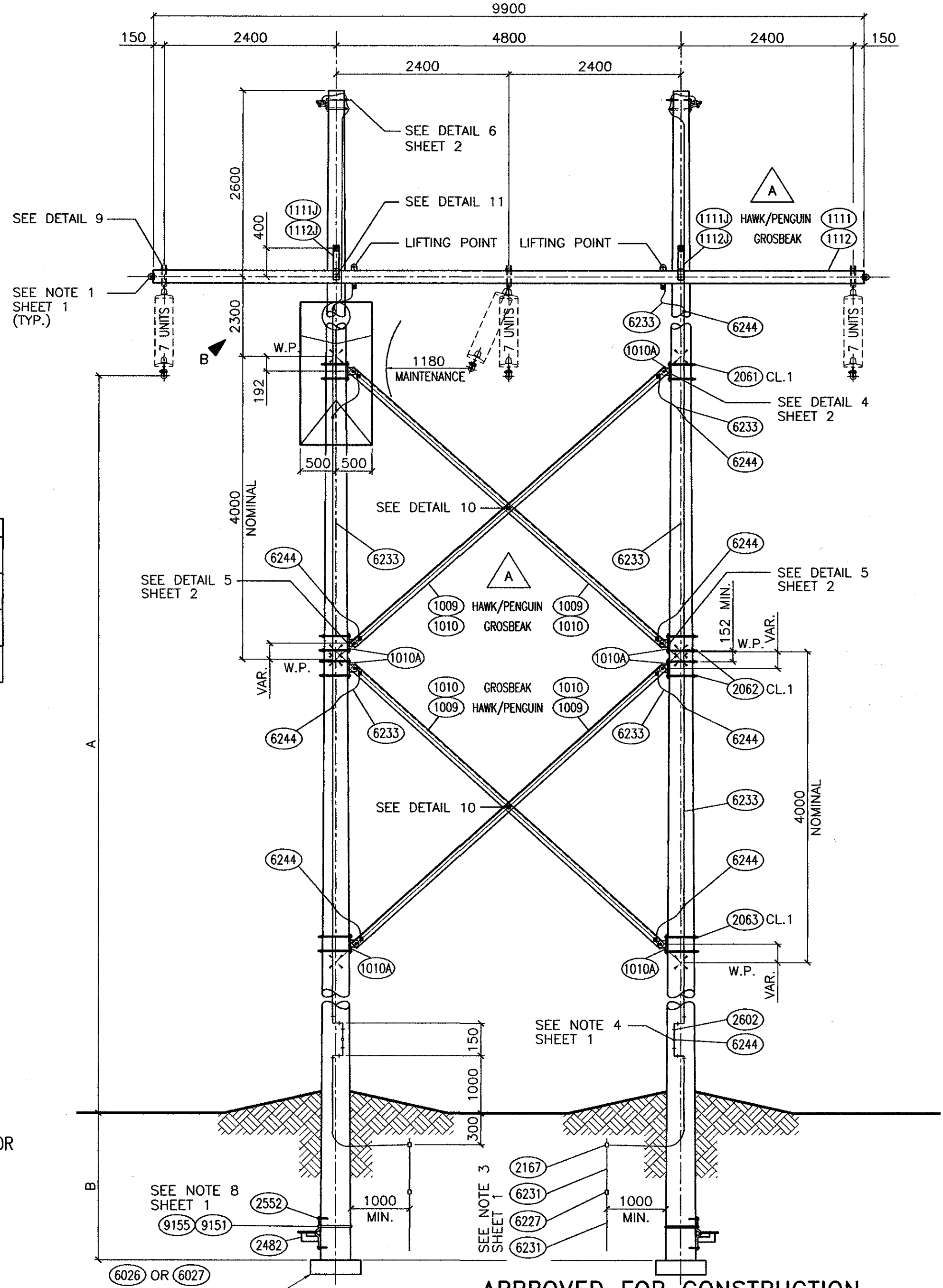


CONFIGURATION FOR HAWK/PENGUIN CONDUCTOR



CONFIGURATION FOR GROSBEAK CONDUCTOR

**DETAIL 11**  
SCALE 1:10



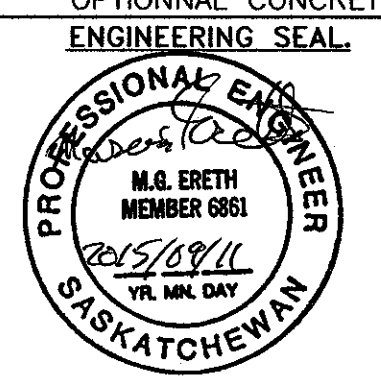
OPTIONAL CONCRETE PAD (6026 OR 6027)

APPROVED FOR CONSTRUCTION

AutoCAD

DESIGNED BY X.ZHANG  
DRAWN BY E.GOTANA  
APPR'D BY M.ERETH  
SEALED BY M.ERETH  
DATE (Y-M-D) 2015/09/11

DESIGNED BY J. MENARD  
DRAWN BY J. SAVOIE  
APPR'D BY K. OLECHNOWICZ  
SEALED BY K. OLECHNOWICZ  
DATE (Y-M-D) 2015-01-12



DRAFTING DEPT.  
DRAWN BY J. SAVOIE  
CHECKED BY  
DATE (Y-M-D) 2013-08-21

DESIGN DEPT.  
DESIGNED BY J. MENARD (CIMA+)  
CHECKED BY K. OLECHNOWICZ  
APPROVED BY K. OLECHNOWICZ  
SEALED BY K. OLECHNOWICZ  
DATE (Y-M-D) 2013-08-21

**SaskPower** INTERNAL USE ONLY  
138 kV  
STEEL CROSSARM AND CROSS BRACE  
LONG SPAN TANGENT STRUCTURE (0°-2°)  
OUTLINE AND DETAILS  
ASSEMBLY

AUTOCAD SOURCE FILENAME:  
D14\_902\_2SW\_07.DWG  
PLOT DATE: 2015-09-11 PAPER: C  
PLOT TIME: 10:58 AM  
PLOTTED BY: AGATZKE  
SCALE: 1:50 (U.O.S.)  
DRAWING No.  
**D14**  
**902-2SW**  
SHEET 7 OF 15 REV. B