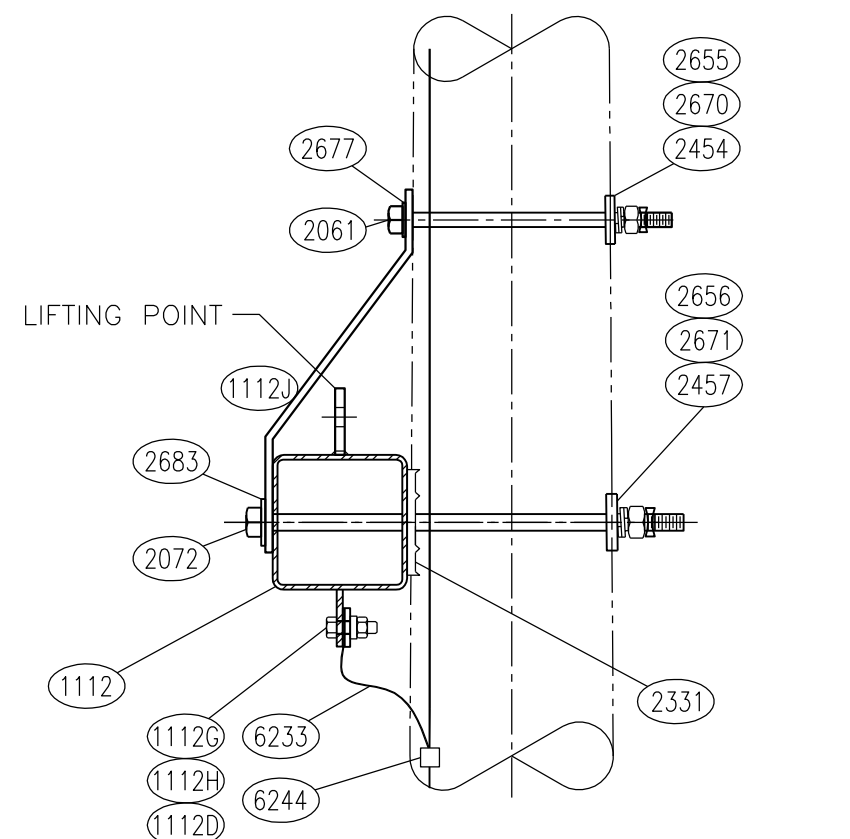
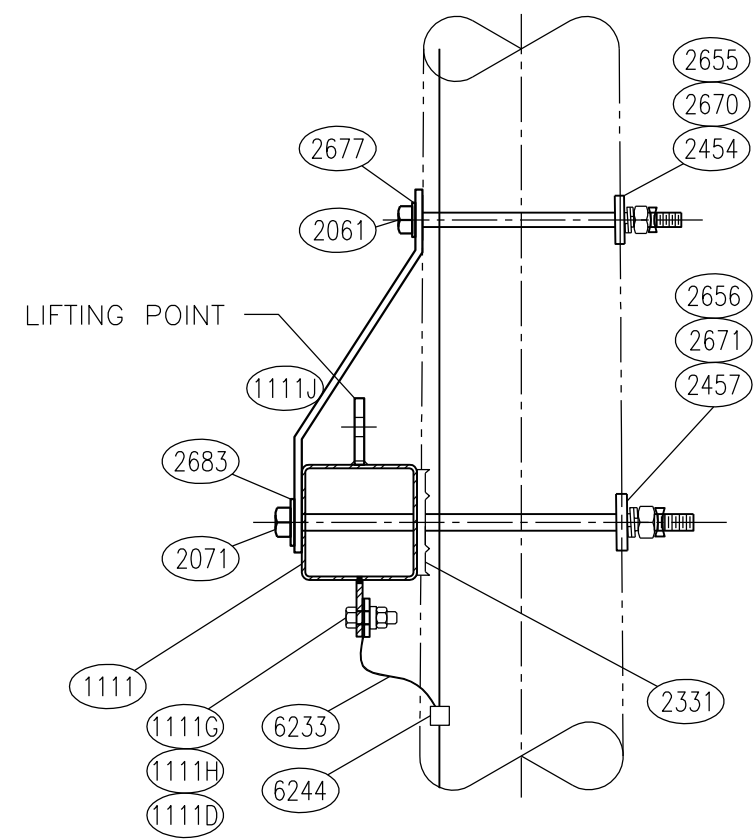
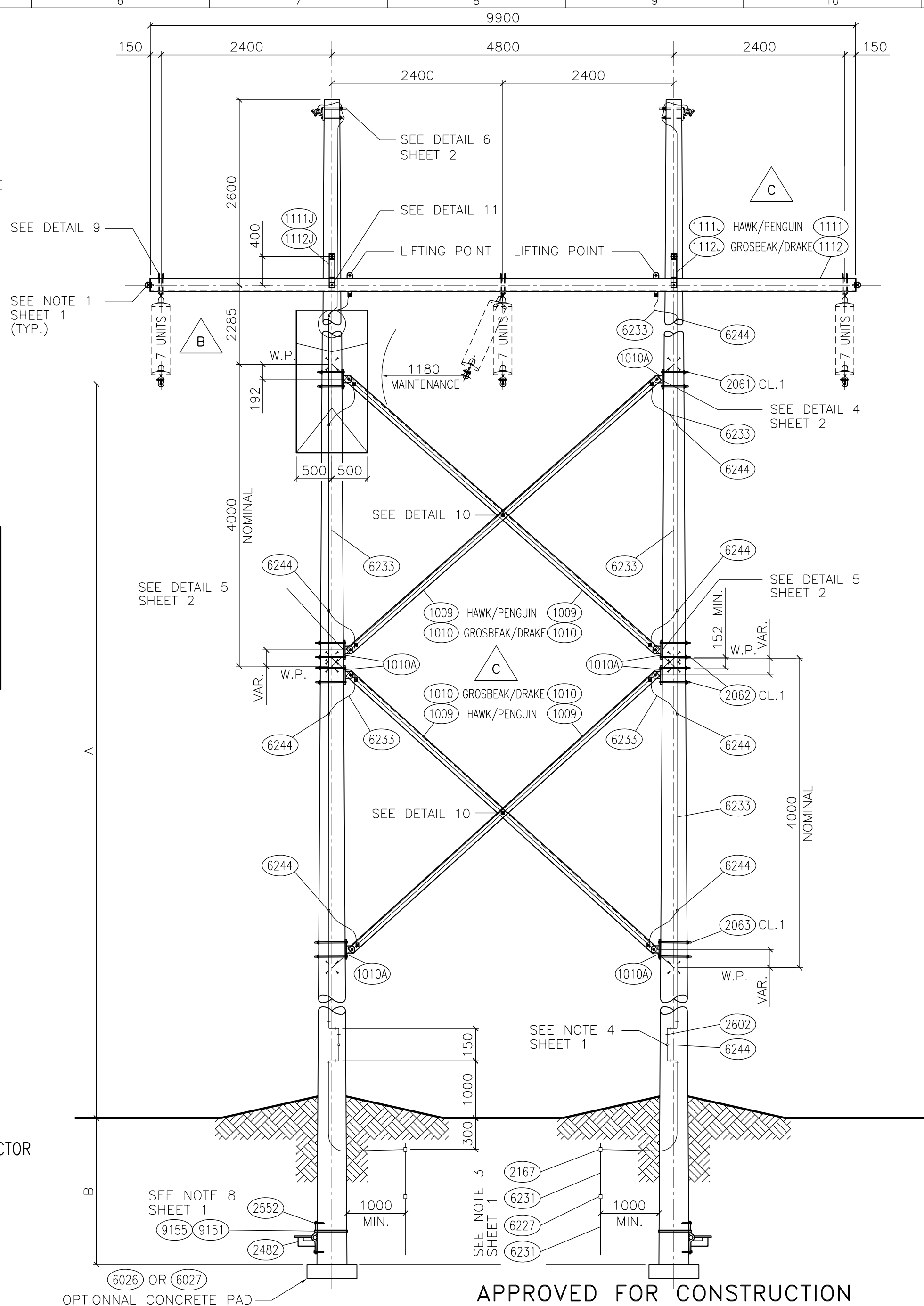


POLE LENGTHS	DIMENSIONS	
	A (138 kV)	B
90' - 90'	65'-11"	11'-0"
27432 - 27432	20103	3353
85' - 85'	60'-6"	10'-6"
25908 - 25908	18432	3200
80' - 80'	56'-11"	10'-0"
24384 - 24384	17360	3048



DETAIL 11
SCALE 1:10



AutoCAD

C
DESIGNED BY J. MÉNARD (CIMA+)
DRAWN BY J. SAVOIE
APPR'D BY K. OLECHNOWICZ
SEALED BY K. OLECHNOWICZ
DATE (Y-M-D) 2016-05-25
DRAKE CONDUCTOR
CONFIGURATION ADDED

B
DESIGNED BY J. MÉNARD (CIMA+)
DRAWN BY J. SAVOIE
APPR'D BY K. OLECHNOWICZ
SEALED BY K. OLECHNOWICZ
DATE (Y-M-D) 2015-08-12
CROSSBRACE POSITION UPDATED

A
DESIGNED BY J. MÉNARD (CIMA+)
DRAWN BY J. SAVOIE
APPR'D BY K. OLECHNOWICZ
SEALED BY K. OLECHNOWICZ
DATE (Y-M-D) 2015-01-12
GROSBEEK CONDUCTOR
CONFIGURATION ADDED

ENGINEERING SEAL.

DRAFTING DEPT.
DRAWN BY J. SAVOIE
CHECKED BY K. OLECHNOWICZ
DATE (Y-M-D) 2013-08-21
DESIGN DEPT.
DESIGNED BY J. MÉNARD (CIMA+)
CHECKED BY K. OLECHNOWICZ
APPROVED BY K. OLECHNOWICZ
SEALED BY K. OLECHNOWICZ
DATE (Y-M-D) 2013-08-21

SaskPower INTERNAL USE ONLY
138 kV
STEEL CROSSARM AND CROSS BRACE
LONG SPAN TANGENT STRUCTURE (0°-2°)
OUTLINE AND DETAILS
ASSEMBLY

AUTOCAD SOURCE FILENAME:
D14_902_2SW_07 RC.DWG
PLOT DATE: 2016-06-01 PAPER: C
PLOT TIME: 2:33
PLOTTED BY: JEROME.SAVOIE
SCALE: 1:50 (U.O.S.)
DRAWING No.
D14
902-2SW
SHEET 7 OF 15 REV. B